

Theoretical Calculation of the Effect of Pile on Cotton in an Improved New Working Pile Screw

Rajabov Ibrat Yaxshimurodovich, Murodov Orif Jumayevich

*Tashkent Textile and Light Industry Institute, Shahjakhon 5, 100000, Tashkent, Republic of Uzbekistan
i.rajabov1987@gmail.com, orifakadem81@gmail.com*

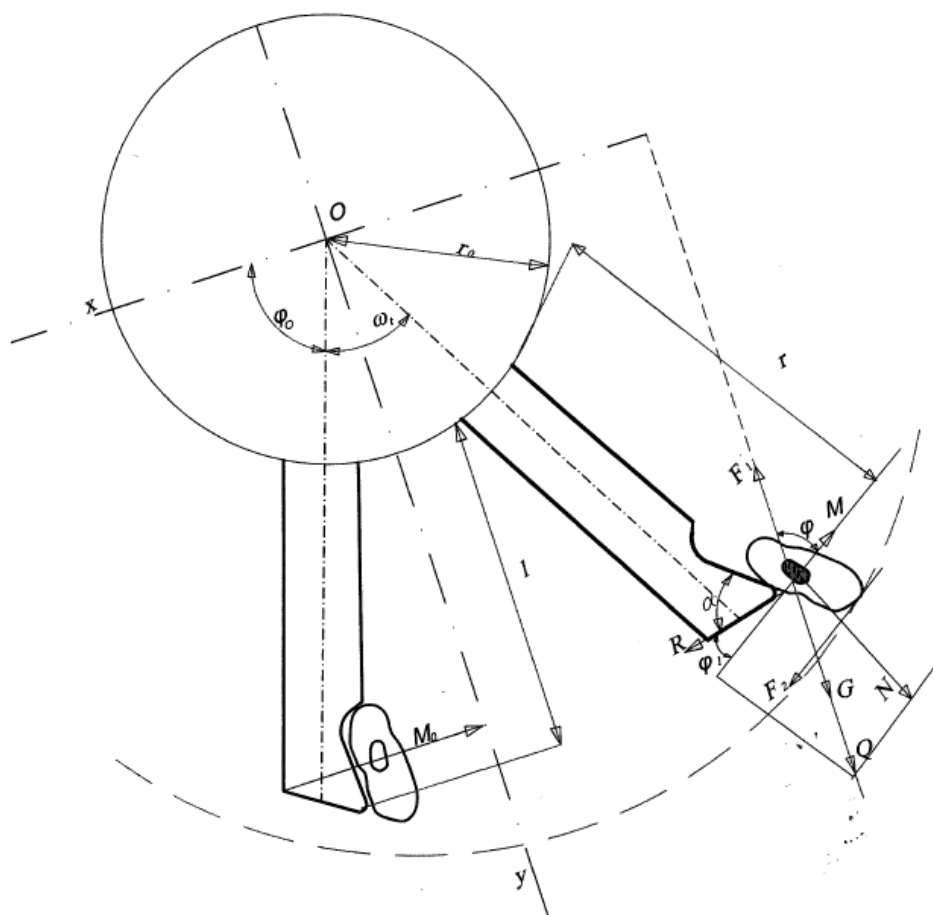
Abstract: In the article, the interaction of the pile with the cotton in the improved new pile auger installed in the cleaning shop of cotton mills is theoretically calculated and the recommended parameters are presented. Equations allowing to create a new model of the screw conveyor were obtained through theoretical calculations. Using the obtained equations, connection graphs were constructed and it was proved that the increase in the radius of the auger leads to an increase in the cotton cleaning time.

Keywords: cotton raw material, screw conveyor, auger, fiber, seed, speed, mesh surface, cotton ball, auger piles.

In all cotton ginning factories located in our republic, cotton raw materials are first of all cleaned of small and large impurities. As we know, all the machines and aggregates in the cleaning shop are becoming obsolete today, and the creation of new generations of them is the demand of the times.

The process of cleaning cotton raw material from small impurities is based on impacting the raw material by a drum with a pile and carrying it through a mesh surface by a pile. Due to the fact that the piles do not reliably hang the cotton raw material, the cotton gets tangled as a result of the cotton rolling along the mesh surface. In order to prevent this, a construction of a pile with increased hanging properties was developed and its effect on the cleaning process was theoretically considered.

The following forces act on the cotton raw material along the surface of the cleaner mesh with a pile with increased hanging capacity (Fig.1.):



G- raw cotton weight; *C*- centrifugal force; *R*- aerodynamic force;

*F*₁- force of friction of raw cotton on the front surface of the pile;

*F*₂ – force of friction of raw cotton along the mesh surface;

N- pile reaction; *P*- the force resulting from the screw movement of the pile; *f* - coefficient of friction;
t- time; *m*-mass.

Fig.1. The scheme for determining the conditions for hanging cotton raw material by the pile

Figure 1 shows that forces *G*, *C* and *F*₁ try to separate the raw cotton from the pile and roll it, while forces *R* and *F*₂ try to compress the cotton into the pile.

Let the piece of cotton be at the point *M*₀(*x*₀, *y*₀) at moment *t*=0. The *XOY* axis is shown in the figure, the *OX* axis is horizontal, the *OY* axis is directed perpendicular to it, and the initial position of the piece of cotton is:

$$x_0 = r_0 \cos \varphi_0 \quad y_0 = r_0 \sin \varphi_0$$

Here *r* and φ - pole is a coordinate system, φ – angle is the angle formed by a piece of cotton with the *OX* axis. Assuming that a piece of cotton moves along the surface of the pile, at certain values of the forces *F*₁, *F*₂, *R*, *N*, *G*, the piece of cotton may separate from the pile or there will be no contact with the mesh surface.

There may be no contact on the mesh surface, it is necessary to determine such conditions. At an arbitrary moment $t > 0$, we express the coordinates of a piece of cotton by the angle φ and the radius r :

$$x=r \cos (\varphi_0+\omega t), y=r \sin (\varphi_0+\omega t);$$

$$\dot{x}=\dot{r} \cos \left(\varphi_0+\omega t\right)-r \omega \sin \left(\varphi_0+\omega t\right);$$

$$\dot{y}=\dot{r} \sin \left(\varphi_0+\omega t\right)+r \omega \cos \left(\varphi_0+\omega t\right);$$

r – we consider the radius as a generalized coordinate and determine the kinematic energy of a piece of cotton as follows.

$$T=\frac{1}{2} m\left(\dot{x}^2+\dot{y}^2\right)=\frac{1}{2} m\left\{\left[\dot{r} \cos \left(\varphi_0+\omega t\right)-r \omega \sin \left(\varphi_0+\omega t\right)\right]^2+\left[\dot{r} \sin \left(\varphi_0+\omega t\right)+r \omega \cos \left(\varphi_0+\omega t\right)\right]^2\right\}=\frac{1}{2} m\left(r^2+\dot{r}^2\right) \quad (1)$$

r - coordinate satisfies this Lagrange equation of type II.

$$\frac{\partial}{\partial t}\left(\frac{DT}{\delta \dot{r}}\right)-\frac{DT}{\delta r}=Q \quad (2)$$

or (2) equation takes the following form:

$$m \ddot{r}=m r^2+Q \quad (3)$$

Here Q - is the generalized force, whose value is equal to the sum of the forces acting on the particle along the pile when $r < l$. ($l=r_0+l_0$) r_0 – drum radius; l_0 – pile length; t_0 is time, it is determined from the equation $r(t_0)=l$) we determine the force Q based on the condition $0 < t < t_0$:

$$Q_r=m g \cos \left(\varphi_0+\omega t\right) \quad (4)$$

A piece of cotton moving on the face of the pile, in addition to the centrifugal force $m r^2 \omega$, we determine the following force of gravity and the friction force created by its influence (Fig. 2):

$$F_g=m g\left[\sin \left(\varphi_0+\omega t\right)-f \cos \left(\varphi_0+\omega t\right)\right] \quad (5)$$

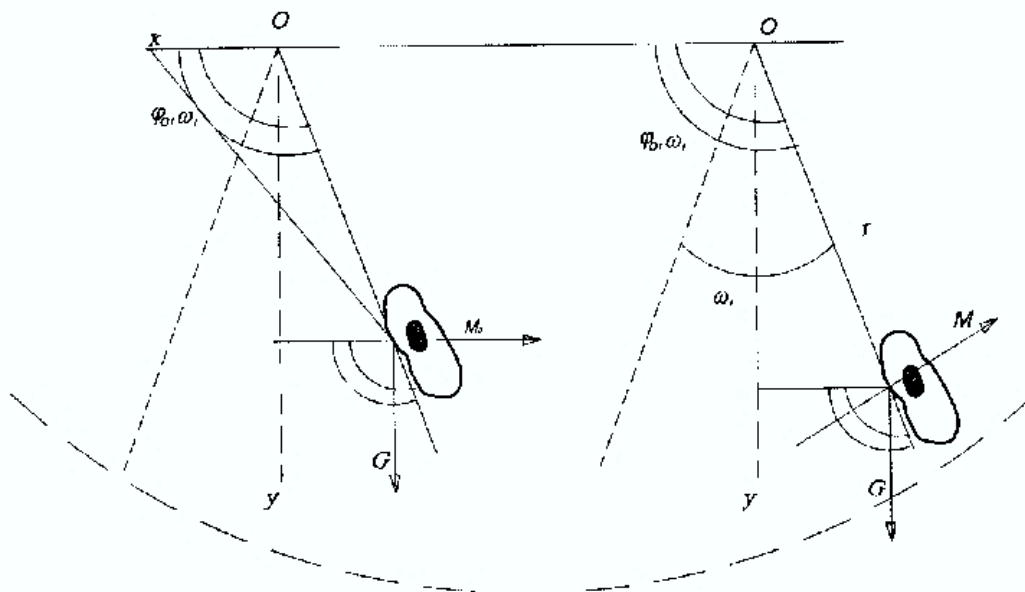


Fig.2. The scheme for determining the conditions for hanging cotton raw material by the pile

It can be seen from this scheme that the resistance force is perpendicular to the direction of the relative speed \dot{r} , and the friction force under its influence is as follows:

$0 < (\varphi_o + \omega t) < \frac{\pi}{2}$ normal force is not taken into account in this condition.

$$F_k = 2mf\dot{r}\omega \quad (6)$$

R- The aerodynamic force acts on the pile in the normal direction, which also generates the following force of friction:

$$F_r = mg \sin(\varphi_o + \omega t) \quad (7)$$

Putting the sum of these forces into equation (3), we get the equation of motion along the pile of coordinate (r):

$$m\ddot{r} = m\omega^2 r - 2mf\dot{r}\omega + mg \sin(\varphi_o + \omega t), \quad t < \left(\frac{\pi}{2} - \varphi_o\right) \frac{1}{\omega} \quad (8)$$

Initial conditions: $t = 0 \quad r = r_0 \quad \dot{r} = 0$

If $\frac{\pi}{2} < (\varphi_o + \omega t) < \pi$ in this case, the normal force is taken into account. $m\ddot{r} = m\omega^2 r - 2mf\dot{r}\omega + mg \sin(\varphi_o + \omega t) - fmg \cos(\varphi_o + \omega t)$ (9)

$$\ddot{r} + 2f\dot{r}\omega - rk(\dot{k} - fc_1) = g[\sin(\varphi_o + \omega t) - \cos(\varphi_o + \omega t)] \quad (10)$$

Here: $k = \frac{\omega}{m}, \quad c_1 = \frac{c}{m}$

(10) equation $r = r_H < 1, \dot{r} = 0$ is integrated under, $r(t_0) = 1$ and when the particle moves along the mesh surface, therefore $t > t_0$ at its speed is equal to the linear speed of the pile $r\omega$, if it moves separately, its equation of motion is as follows.

$$m\ddot{S} = -fm \frac{\dot{S}^2}{r_0} + mg(\sin \frac{S}{R} + \omega t) - f \cos(\frac{S}{R} + \omega t) \quad (11)$$

Here: $S = r_0\varphi$ of a piece of cotton $t > t_0$ current value; $\varphi \geq \varphi_1, \varphi_1 = t=t_0$ the value of the angle φ fi in order to separate the piece of cotton from the pile in the time interval $t < t_0$, the following condition must be met:

$$g(\sin(\varphi_o + \omega t) - f \cos(\varphi_o + \omega t)) \geq rk(k - fC_1) - 2f\dot{r}\omega > 0 \quad (12)$$

If this condition is not fulfilled, the pile will have attached the piece of cotton, and the piece will be in contact with the mesh surface at $t = t_0$. At high pile speeds, the particle is usually in motion with the pile. The following condition must be fulfilled for it to separate above the mesh surface:

$$g[\sin(\varphi_o + \omega t) - f \cos(\varphi_o + \omega t)] > r_0\omega^2 \quad (13)$$

From this inequality, we determine the time it takes for a piece of cotton to move up the pile:

$$t_1 = \frac{1}{\omega} [\beta + \arcsin \frac{r_0\omega^2}{\sqrt{1+f^2}} - \varphi_o] \quad \beta = \arcsin \frac{f}{\sqrt{1+f^2}} \quad (14)$$

t_1 - The value of is this $t_0 < t_1 < \frac{\alpha}{\omega}$ determined from the condition. If $t_0 > t_1$ will, at the hold, buttermilk bñlakchasi koziqchadan azhralgan bñladi, if $t_1 > \frac{2\pi}{\omega}$ will, taking into account the periodicity of the process, a piece of buttermilk is removed from the pile.

With the help of this equation (14), it will be possible to determine the angle that ensures the retention of the cotton fabric by the pile in its movement along different surfaces.

The radius of the conveyor screws can be expressed by the following equation.

$$r = A_1 e^{-k_1 t} + A_2 e^{-k_2 t} + A_0 \sin(\varphi_o + \omega t) + B_0 \cos(\varphi_o + \omega t) \quad (15)$$

$$A_0 = \frac{g}{2\omega^2(1+f^2)}; \quad B_0 = \frac{gf}{2\omega^2(1+f^2)} \quad (16)$$

$$r = A_1 e^{-k_1 t} + A_2 e^{-k_2 t} - \frac{g}{2\omega^2(1+f^2)} [(1+f^2)\sin(\varphi_o + \omega t) + (1-f)\cos(\varphi_o + \omega t)] \quad (17)$$

Initial conditions: $t_0 = 0 \quad r = 0 \quad \dot{r} = 0$

$$A_1 = \frac{g}{2\omega^2(1+f^2)} [k_2(\sin \varphi_o + f \cos \varphi_o) + (\cos \varphi_o - f \sin \varphi_o)] \frac{1+r_0}{k_2-k_1} \quad (18)$$

$$A_2 = \frac{g}{2\omega^2(1+f^2)(k_1-k_2)} [k_1(\sin \varphi_o + f \cos \varphi_o) + (\cos \varphi_o - f \sin \varphi_o)] + \frac{r_0}{k_1-k_2} \quad (19)$$

If $r = R$ if the condition is fulfilled, then the equation will be in the following form:

$$R = A_1 e^{-k_1 t_0} + A_2 e^{-k_2 t_0} + \frac{g}{2\omega^2(1+f^2)} [\sin(\varphi_o + \omega t) + f \cos(\varphi_o + \omega t)] + \frac{r_0}{k_1-k_2} \quad (20)$$

If equation (20) is relative to $t_0 \quad t = t_0 < t_1 = \frac{1}{\omega}(\frac{\pi}{2} - \varphi_o)$, mass motion if has $r = R, \quad \dot{r} = 0$ according to the law.

$t > t_1$ (9) can be integrated as follows:

$$\ddot{r}_1 - r\omega^2 + 2\omega f \dot{r} = g[\sin(\varphi_o + \omega t) + f \cos(\varphi_o + \omega t)] \quad (21)$$

$$r_1 = B_1 e^{-k_1(t-t_0)} + B_2 e^{-k_2(t-t_0)} + C_0[\sin(\varphi_o + \omega t) + D_0 \cos(\varphi_o + \omega t)] \quad (22)$$

$$\begin{cases} 2C_0\omega^2 + 2f\omega^2 D_0 = g \\ -2fC_0\omega^2 + 2\omega^2 D_0 = gf \end{cases} \quad \begin{cases} C_0 = \frac{g(1-f^2)}{2\omega^2(1+f^2)} \\ D_0 = \frac{gf}{2\omega^2(1+f^2)} \end{cases} \quad (23)$$

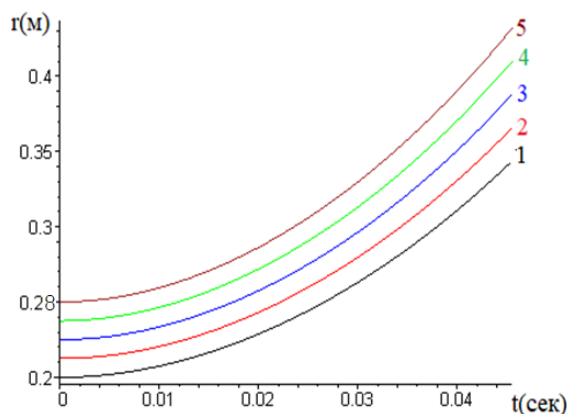
$$r_1 = B_1 e^{-k_1(t-t_0)} + B_2 e^{-k_2(t-t_0)} + \frac{g}{2\omega^2(1+f^2)} [(1-f^2)\sin(\varphi_o + \omega t_0) + 2f \cos(\varphi_o + \omega t_0)] \quad (24)$$

B_1 and B_2 constants $r_1(t_0) = r(t_0), \quad \dot{r}_1(t_0) = \dot{r}(t_0)$ determined from the conditions.

$$\begin{cases} B_1 + B_2 = -\frac{g}{2\omega^2(1+f^2)} [(1-f^2)\sin(\varphi_o + \omega t_0) + 2f \cos(\varphi_o + \omega t_0)] + r(t_0) \\ k_1 B_1 + k_2 B_2 = \frac{g}{2\omega^2(1+f^2)} [(1-f^2)\cos(\varphi_o + \omega t_1) - 2f \sin(\varphi_o + \omega t_1)] + \dot{r}(t_0) \end{cases} \quad (25)$$

From this system, the constants B_1 and B_2 are determined.

Based on the given data, we can see the dependence of time on the radius, that is, the distances of cotton hanging and falling, in the following graph (Fig.3.):



1) $r = 0.2$ м, 2) $r = 0.2125$ м, 3) $r = 0.225$ м, 4) $r = 0.2375$ м, 5) $r = 0.28$ м.

Fig.3. A graph of the screw conveyor radius versus the time of hanging and dropping cotton

It can be seen from the given graph that in the cleaner with a screw working body, mathematical models were obtained that express the dependence of the angle of inclination of the axis γ , the radius r , the angle of elevation of the screw line α , the angular velocity, the angle of twisting of the cotton layer in the direction of rotation of the screw working body, the friction coefficients f_1 and f_2 , and as a result of calculations, indicators $r=230$ mm; $\alpha=300$; $f_1=0.3$; $f_2=0.4$; $n_0=260$ min⁻¹; When $\varphi=62^\circ$, it is ensured that the cotton does not rotate with the pile.

Summary. Thus, it is possible to choose such geometric parameters that ensure reliable holding of raw cotton in the pile. In this case, the frictional forces on the mesh surface are interrupted and the possibility of rolling of the cotton piece is lost, thereby reducing the possibility of tangling of the cotton during cleaning.

While the cleaning efficiency of screw cleaners is high, it has been shown that their main disadvantage is the high probability of cotton tangling. As a result of the theoretical studies carried out in order to prevent this, it is possible to emphasize the expediency of using piles of screw cleaners with an increased ability to hang cotton.

List of references

1. Джураев, А. А., Собиров, К., & Муродов, О. Ж. (2005). О новом способе переработки семенного хлопка-сырца. In *Новое в технике и технологии текстильной и легкой промышленности* (pp. 53-54).
2. Умарова, З.М., Муродов О.Ж, Джураев А.Д, Рахмонов И. Экспериментальное определение нагруженности механизма перемещения материала с упругими связями швейной машины. *The problems of textile. Проблемы текстиля* 1(3). pp. 42-45
3. Муродов О., Рахмонов И., Умарова З.М., Мансурова Д.С. Кинематический анализ рычажно-шарнирного механизма перемещения материала швейной машины. *Проблемы текстиля* 2 (2), pp. 59-63.
4. Мансурова М.А., Умарова З.М., Муродов О. Экспериментальное измерение нагруженности пружины кручения в приводе механизма перемещения материала в швейной машине. *Инновации в металлообработке: Взгляд молодых специалистов (2015)*, (pp. 212-216).

5. Муродов, О., Мирахмедов, Д., & Джураев, А. (2016). Особенности конструкции пяти и шестигранных колосников очистителя хлопка. In *Качество в производственных и социально-экономических системах* (pp. 265-266).
6. Джураев А.Д., Элмонов С.М., Муродов О.Д. Очиститель волокнистого материала с колосниками на упругих резиновых втулках. *Молодежь и XXI век-2017*, 2017. pp. 325-326
7. Абдумажитович, М.А., Джураев, А. Д., & Муродов, О. Д. (2017). ОПРЕДЕЛЕНИЕ ЖЕСТКОСТИ УПРУГОЙ ВТУЛКИ СОСТАВНОГО РОЛИКА ЦЕПНОЙ ПЕРЕДАЧИ. In *Молодежь и XXI век-2017* (pp. 342-343).
8. Рахмонов Х.Қ., Муродов О.Ж. Янги пластмассали колосник ўрнатилган тозалаш машинасида тозаланган чигитли пахта сифат кўрсаткичларини тадқиқ қилиш. Бухарский инженерно-технологический институт (2017). “Развитие науки и технологий” Научно–технический журнал 1 (4), pp. 33-38
9. Муродов О.Ж. РАЗРАБОТКА КОНСТРУКЦИИ И ОБОСНОВАНИЕ ПАРАМЕТРОВ ВИБРАЦИОННОГО ПЛАСТМАССОВОГО КОЛОСНИКА ОЧИСТИТЕЛЯ ХЛОПКА ОТ КРУПНОГО СОРА/ Ташкентский институт текстильной и лёгкой промышленности// 2018.7.9., P-120.
10. Хожиев, М. Т., Джураев, А., & Муродов, О. (2019). СЕПАРАТОР ДЛЯ ХЛОПКА-СЫРЦА С КРИВОЛИНЕЙНЫМИ НАПРАВИТЕЛЯМИ. In *Тезисы докладов 52-й Международной научно-технической конференции преподавателей и студентов* (pp. 266-267).
11. РАЖАБОВ, И. Я., & ЎҒЛИ, Ф. Б. Ф. (2022). ИССЛЕДОВАНИЕ НАПРЯЖЕННОСТИ ПОЛЯ СИЛ ТРЕНИЯ В РЕМЕШКОВЫХ ПАРАХ И ИЗНОСА РЕМЕШКА. *М-75 МЛ-61*, 61389.
12. РАЖАБОВ, И. Я., & ФАХРИДДИНОВ, Б. Ф. Ў. (2022). ТЕОРЕТИЧЕСКОЕ ОБОСНОВАНИЕ ПОЯВЛЕНИЯ И РАЗРАСТАНИЯ ТРЕЩИН В РЕМЕШКАХ ВЫТЯЖНОГО ПРИБОРА КОЛЬЦЕПРЯДИЛЬНЫХ И РОВНИЧНЫХ МАШИН. In *Молодежь и XXI век-2022* (pp. 393-396).
13. Agzamov, M., Radjabov, I., & Yuldashev, D. (2021, December). Research of the reasons of increased drop in cotton seeds after generation with reduced density of raw roller. In *IOP Conference Series: Earth and Environmental Science* (Vol. 939, No. 1, p. 012072). IOP Publishing.
14. РАЖАБОВ, И. Я., & АТАЖАНОВ, А. Б. (2021). ФРАКЦИОННЫЙ АНАЛИЗ ЗАСОРЕННОСТИ ХЛОПКА-СЫРЦА. In *Молодежь и XXI век-2021* (pp. 383-286).
15. РАЖАБОВ, И. Я., & САФОЕВ, А. А. (2021). ВЛИЯНИЕ ВОРСА НА ЭФФЕКТИВНОСТЬ ОЧИСТКИ И ЗАЖГУЧЕННОСТИ ХЛОПКА. In *Юность и знания-гарантия успеха-2021* (pp. 386-388).
16. Рахимов А.Х. О.Ж. Муродов, А. Джураев. Хожиев М.Т. Сепаратор хлопка-сырца. US Patent 06,632
17. Каримов ИК., Муродов О.Ж. Влияние жесткости нажимных валиков ровничных машин на обрывность. 2021 г, Сборник научных статей 2-й Всероссийской. Конференции Инновационный потенциал развития общества: взгляд молодых ученых 2(5)., pp. 63-64
18. Murodov O, Madrahimov Sh, Shodiyev Z. Investigation of vibrations of a lightweight grate on elastic supports of a coarse litter cleaner with random disturbance from raw cotton. *EPR International Journal of Multidisciplinary Research (IJMR) - Peer Reviewed Journal* DOI: 10.36713/epra2013 || SJIF Impact Factor: 7.032 || ISI Value: 1.188., pp. 49-53.

Published under an exclusive license by open access journals under Volume: 3 Issue: 3 in Mar-2023

Copyright (c) 2023 Author (s). This is an open-access article distributed under the terms of Creative Commons Attribution License (CC BY). To view a copy of this license, visit <https://creativecommons.org/licenses/by/4.0/>

19. Муродов О.Ж. Анализ влияния переменности угловой скорости пыльчатого барабана на угол отклонения захваченной летучки в очистителе хлопка. Общество с ограниченной ответственностью Издательство «Экономическое образование» Москва. «Дизайн и технологии», 2021, 81 (123), pp. 73-77.
20. МУРОДОВ, О. Ж., ХАДЖАЕВА, М. Ю., & ЖАВЛИЕВ, Ж. У. У. (2022). АНАЛИЗ РАБОЧИХ ОРГАНОВ И МЕХАНИЗМОВ ЧЕСАЛЬНЫХ МАШИН, ОБОСНОВАНИЕ ТЕХНИЧЕСКИХ ПАРАМЕТРОВ И РЕЖИМОВ РАБОТЫ С ЦЕЛЮ УСТРАНЕНИЯ НЕРОВНОТЫ ЛЕНТЫ НА ПРЯДИЛЬНЫХ ФАБРИКАХ. In Проблемы и перспективы развития России: Молодежный взгляд в будущее (pp. 389-391).
21. МУРОДОВ, О. Ж., & ТОЖИЕВА, Л. Б. К. (2022). ЭКСПЕРИМЕНТАЛЬНОЕ ОПРЕДЕЛЕНИЕ ДЕЙСТВУЮЩИХ СИЛ МЕХАНИЗМА ПЕРЕМЕЩЕНИЯ МАТЕРИАЛА С УПРУГИМИ ЭЛЕМЕНТАМИ. In Проблемы и перспективы развития России: Молодежный взгляд в будущее (pp. 392-394).
22. MURODOV, O., JURAEV, A., PLEKHANOV, A., & TASHPULATOV, D. (2022). INFLUENCE OF PARAMETERS OF A PLASTIC MULTI-FACE GRATE ON ELASTIC SUPPORTS IN A COTTON CLEANER ON THE FREQUENCY OF SYSTEM VIBRATIONS AND THE EFFECT OF CLEANING FIBER MASS FROM WEED AND HARDIMPURITIES. PROCEEDINGS OF HIGHER EDUCATION INSTITUTIONS, 171.
23. Муродов, О. Ж., & Адилова, А. Ш. (2022). ПАХТА ТОЗАЛАШ КОРХОНАЛАРИНИ ЧАНГСИЗЛАНТИРИШ, ЦИКЛОНЛАРНИНГ ЯНГИ КОНСТРУКЦИЯЛАРИНИ ЯРАТИШ. ГЕОГРАФИЯ: ПРИРОДА И ОБЩЕСТВО, (2).
24. Murodov, O., Iminov, B., & Adilova, A. (2022). TOQIMACHILIK KORXONALARIDA CHANGLI NAVONI TOZALASH JARAYONINI TANLIL QILISH. Collection of scientific papers «SCIENTIA», (April 22, 2022; Chicago, USA), 57-59.
25. Абдугаффаров Х.Ж., Муродов О.Ж., ИССЛЕДОВАНИЕ ВЛИЯНИЯ ПАССИВНОЙ ОБЛАСТИ НА ПРОИЗВОДИТЕЛЬНОСТЬ ВИНТОВОГО КОНВЕЙЕРА С СЕКЦИЕЙ ОЧИСТКИ СЕМЯН ХЛОПКА. РАЗВИТИЕ НАУКИ И ТЕХНОЛОГИЙ НАУЧНО – ТЕХНИЧЕСКИЙ ЖУРНАЛ 5 (5), 4-11.
26. Razhabov, I., Safoyev, A., Agzamov, M., & Yuldashev, D. (2020). Cleaner of Raw Cotton with a Screw Working Body.
27. РАЖАБОВ, И. Я., САФОЕВ, А. А., & АБДУКАДЫРОВА, Н. А. (2020). НОВЫЙ ОЧИСТИТЕЛЬ ХЛОПКА-СЫРЦА. In МОЛОДЕЖЬ И НАУКА: ШАГ К УСПЕХУ (pp. 328-331).
28. Safoyev, A. A., & Rajabov, I. Y. (2019). Ensuring the increase of the intensity of cleaning cotton from a small sorah. *Textile Journal of Uzbekistan*, 6(2), 2.
29. РАЖАБОВ, И. Я., САФОЕВ, А. А., & ПАРДАЕВ, Б. Ч. (2017). ИССЛЕДОВАНИЕ КОЛКОВОГО ШНЕКА ОЧИСТИТЕЛЯ ХЛОПКА-СЫРЦА. In Наука молодых-будущее России (pp. 321-324).
30. Ражабов, И. Я., & Хаджаев, С. С. (2014). МОДЕЛИРОВАНИЕ СВОБОДНЫХ И ВЫНУЖДЕННЫХ КОЛЕБАНИЙ ПРИЖИМНОЙ ЛАПКИ ПОРТАТИВНОЙ ЭЛЕКТРОЗАКРОЙНОЙ МАШИНЫ. In Юность и знания-гарантия успеха (pp. 346-349).

31. Махмутов, З. Р., Ражабов, И. Я., & Хаджаев, С. С. (2014). МЕХАНИКА АВТОМАНИПУЛИРОВАНИЯ ПОЛЫХ ДЕТАЛЕЙ обуви. In *Юность и знания-гарантия успеха* (pp. 256-259).
32. Хаджаев, С. С., & Бутовский, П. М. (2014). МОДЕЛИРОВАНИЕ СВОБОДНЫХ И ВЫНУЖДЕННЫХ КОЛЕБАНИЙ ПРИЖИМНОЙ ЛАПКИ портативной электрозакройной машины. In *Молодые ученые-основа будущего машиностроения и строительства* (pp. 371-375).
33. Муродов, О. Ж., Адилова, А. Ш., & Саидова, Н. А. (2023). ПУТИ СНИЖЕНИЯ КОЛИЧЕСТВА ПЫЛИ ВЫБРАСЫВАЕМОЙ ХЛОПКОПЕРЕРАБАТЫВАЮЩИМИ ПРЕДПРИЯТИЯМИ. *Gospodarka i Innowacje.*, 33, 42-47.
34. Росулов, Р. Х., Бобожонов, С. Х., & Ражабов, И. Я. (2014). НОВАЯ ТЕХНОЛОГИЯ СБОРКА ПИЛЬЧАТЫХ СЕГМЕНТОВ ХЛОПКООЧИСТИТЕЛЬНЫХ МАШИН. In *Юность и знания-гарантия успеха* (pp. 357-360).
35. Ражабов, И. Я., Агзамов, М. М., & Каримова, М. М. К. (2023). ТЕОРЕТИЧЕСКИЙ АНАЛИЗ ОПРЕДЕЛЕНИЯ ПОТРЕБЛЯЕМОЙ МОЩНОСТИ В ШНЕКОВОЙ ЧАСТИ ОЧИСТИТЕЛЯ. *Endless light in science*, (февраль), 251-260.
36. ПИЛЬНЫЙ ДИСК ВОЛОКНООЧИСТИТЕЛЯ. ААА Мавлянов Айбек Палванбаевич (UZ), Муродов Ориф Жумаевич (UZ) Абдусаматов Алишер Абдугаппар угли. RU Patent №16
37. Муродов О.Ж., Адилова А.Ш. Многоцелевая оптимизация геометрических размеров циклон для очистки частиц пыли. Издано в небольшой типографии Наманган. Механика и технология, 2022. E-mail: Mex-tex@edu.uz 8(3), pp. 185-193.
38. МУРОДОВ, О., РУДОВСКИЙ, П., & КОРАБЕЛЬНИКОВ, А. ОБОСНОВАНИЕ ПАРАМЕТРОВ И КОНЕЧНО-ЭЛЕМЕНТНОЕ МОДЕЛИРОВАНИЕ ДВИЖЕНИЯ ХЛОПКОВОЗДУШНОЙ СМЕСИ В СЕПАРАТОРЕ ХЛОПКА SUBSTANTIATION OF PARAMETERS AND FINITE ELEMENT MODELING OF НIE MOVEMENT OF A COTTON-AIR MIXTURE IN A COTTON SEPARATOR.
39. Муродов О., & Адилова А. (2022). Изучение влияния скорости входящего потока на эффективность циклонов. *Наука и инновационное развитие*, 5, 28–35. извлечено от <https://indep-ilm.uz/index.php/journal/article/view/310>
40. Murodov O.J., Adilova A.Sh. THE PROCESS OF INTERACTION OF DUST PARTICLES IN A DUSTY AIR STREAM WITH EQUIPMENT ELEMENTS. ISSN 1815-4840, E-ISSN 2181-1105 *Himičeskaâ tehnologiâ. Kontrol' i upravljenje/International scientific and technical journal* journal homepage: <https://uzjournals.edu.uz/ijctcm> 98(2)., pp.12-19
41. Murodov, O., & Javliyev, J. (2022). MODERN RIETER C60 CARD COMBING MACHINES HEAD DRUM UNIT COMBING PROCESS IMPROVEMENT. *Theoretical aspects in the formation of pedagogical sciences*, 1(5), 253-255.
42. МУРОДОВ, О. Ж., САИДОВА, Н. А., & АДИЛОВА, А. Ш. (2022). АНАЛИЗ ТЕОРЕТИЧЕСКИХ И ПРАКТИЧЕСКИХ ИССЛЕДОВАНИЙ ПО ОЧИСТКЕ ВОЗДУХА ОТ ПЫЛИ ПРИ ПЕРВИЧНОЙ ПЕРЕРАБОТКЕ ХЛОПКА. In *Поколение будущего: Взгляд молодых ученых-2022* (pp. 283-286).
43. Jumayevich, M. O., & Choriyevich, P. B. (2022). Determination of the Reaction During the Interaction of Cotton Flyers with the Multifaceted Network Surface of the Small Lot Cleaner. *Eurasian Journal of Engineering and Technology*, 12, 75-79.

44. Муродов, О. Ж., & Саидова, Н. А. (2023). ПАХТА ЗАВОДЛАРИДАН ЧИҚАДИГАН ЧАНГЛАРНИ ТАҲЛИЛИ. *BARQARORLIK VA YETAKCHI TADQIQOTLAR ONLAYN ILMIY JURNALI*, 3(2), 373-381.
45. Муродов, О. Ж., & Саидова, Н. А. (2023). ПАХТА ЗАВОДЛАРИДАН ЧИҚАДИГАН ЧАНГ ҲАВОНИНГ ЦИКЛОН СЕПАРАТОРЛАРИ ИЧИДАГИ ГИРДОБДА ДИНАМИК ЁПИШҚОҚЛИГИНИ ЎРГАНИШ. *BARQARORLIK VA YETAKCHI TADQIQOTLAR ONLAYN ILMIY JURNALI*, 3(2), 367-372.
46. Jumayevich, M. O., & A'lovidinovna, S. N. (2023). ПАХТАГА ДАСТЛАВКИ ИШЛОВ БЕРИШДА НАР БИР МАШИНА АГРЕГАТИДАН ЧИҚАДИГАН ЧАНГЛАР МИҚДОРИНING ТАҲЛИЛИ. *BARQARORLIK VA YETAKCHI TADQIQOTLAR ONLAYN ILMIY JURNALI*, 3(2), 382-389.
47. Jumayevich, M. O., & A'lovidinovna, S. N. (2023). ПАХТАГА ДАСТЛАВКИ ИШЛОВ БЕРИШДА АТМОСФЕРАГА ЧИҚАДИГАН ТОЗАЛАНГАН ЧАНГЛАР СТАНДАРТИ. *BARQARORLIK VA YETAKCHI TADQIQOTLAR ONLAYN ILMIY JURNALI*, 3(2), 398-405.
48. Murodov, O. J., Adilova, A. S., & Saidova, N. A. (2023). YANGI KONSTRUKSIYALI CHANG TOZALAGICH USKUNASINI ISHLAB CHIQRISHDA JORIY ETISHDAN KEYINGI QIYOSIY NATIJALAR. *BARQARORLIK VA YETAKCHI TADQIQOTLAR ONLAYN ILMIY JURNALI*, 3(2), 390-397.
49. Jumayevich, M. O., & A'lovidinovna, S. N. (2023). ПАХТА ЗАВОДЛАРИДАН ЧИҚАДИГАН ҚУВУРЛАРДАГИ ЧАНГ ҲАВО ОҚИМИНИ СУВДАН ФОЙДАЛАНИБ ТОЗАЛАШНИНГ АФЗАЛЛИКЛАРИ. *BARQARORLIK VA YETAKCHI TADQIQOTLAR ONLAYN ILMIY JURNALI*, 3(2), 406-413.
50. Саидова, Н. А., Муродов, О. Ж., & Адилова, А. Ш. (2023). ПРИМЕНЕНИЕ УРАВНЕНИЯ НАВЬЕ-СТОКСА ПРИ ИЗУЧЕНИИ ДИНАМИКИ ПЫЛЕВОЗДУШНЫХ ПОТОКОВ НА ХЛОПКООЧИСТИТЕЛЬНЫХ ЗАВОДАХ. *Gospodarka i Innowacje.*, 33, 54-59.
51. Муродов, О. Ж., Адилова, А. Ш., & Саидова, Н. А. (2023). ИСПЫТАНИЕ В ПРОИЗВОДСТВЕ НОВОГО МОДЕРНИЗИРОВАННОГО ЦИКЛОННОГО СЕПАРАТОРА МВЗП-1200. *Gospodarka i Innowacje.*, 33, 48-53.